

**CUSTOMER APPROVAL**

NAME: (print) \_\_\_\_\_  
 SIGNATURE: \_\_\_\_\_  
 TITLE: \_\_\_\_\_  
 DATE: \_\_\_\_\_

**STATUS**

**PRELIMINARY SALES DRAWING  
 ALL DIMENSIONS  
 ARE APPROXIMATIONS**

**MBF Industries**

210 TECH DRIVE  
 SANFORD, FLORIDA 32771

PHONE: 407-323-9414  
 FAX: 407-330-2068

DRAWING NUMBER  
**RCT-P-164-R1**

TYPE  
**COMMAND**

DATE  
**11/5/09**

TITLE  
**NAVAIR**

VIEW  
**FLOOR PLAN**

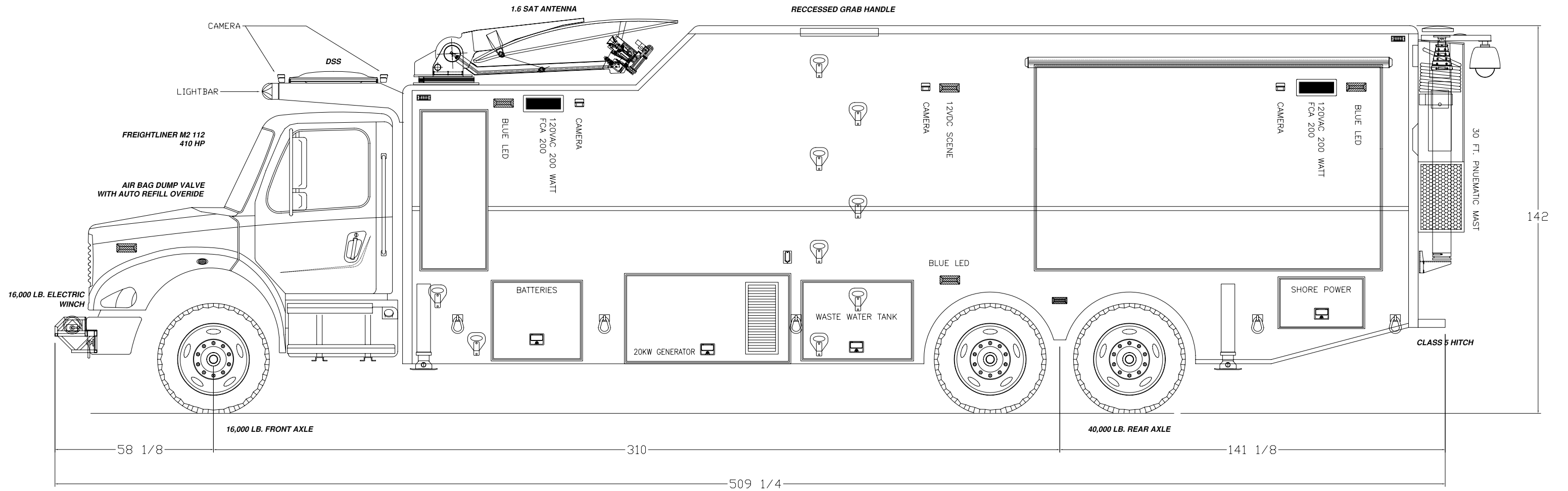
These drawings and/or specifications are the proprietary property and trade secrets of MBF Ind. and are issued in strict confidence. No reproduction or use shall be made without prior written consent of MBF Ind.

DRAWN BY  
**RCT**

SHEET  
**1 OF 5**

SCALE  
**NA**

SIZE  
**B**



CHASSIS SPECIFICATIONS: DETAILED SPECS AVAILABLE UPON REQUEST

FREIGHTLINER M2-112 LATEST AVAILABLE MODEL YEAR  
 MERCEDES ENGINE 410 HP.  
 54,000 LB. GVWR.  
 2007 EMISSIONS

ALLISON TRANSMISSION  
 AIR RIDE SUSPENSION  
 TANDEM REAR AXLE  
 AIR BRAKES

ALLUMINUM ALLOY WHEELS  
 DUAL 60 GALLON ALUMINUM FUEL TANKS

CUSTOMER APPROVAL

NAME: (print) \_\_\_\_\_  
 SIGNATURE: \_\_\_\_\_  
 TITLE: \_\_\_\_\_  
 DATE: \_\_\_\_\_

STATUS

**PRELIMINARY SALES DRAWING**  
**ALL DIMENSIONS**  
**ARE APPROXIMATIONS**

**MBF Industries**

210 TECH DRIVE  
 SANFORD, FLORIDA 32771

PHONE: 407-323-9414  
 FAX: 407-330-2068

DRAWING NUMBER RCT-P-164-R1

TYPE COMMAND DATE 11/5/09

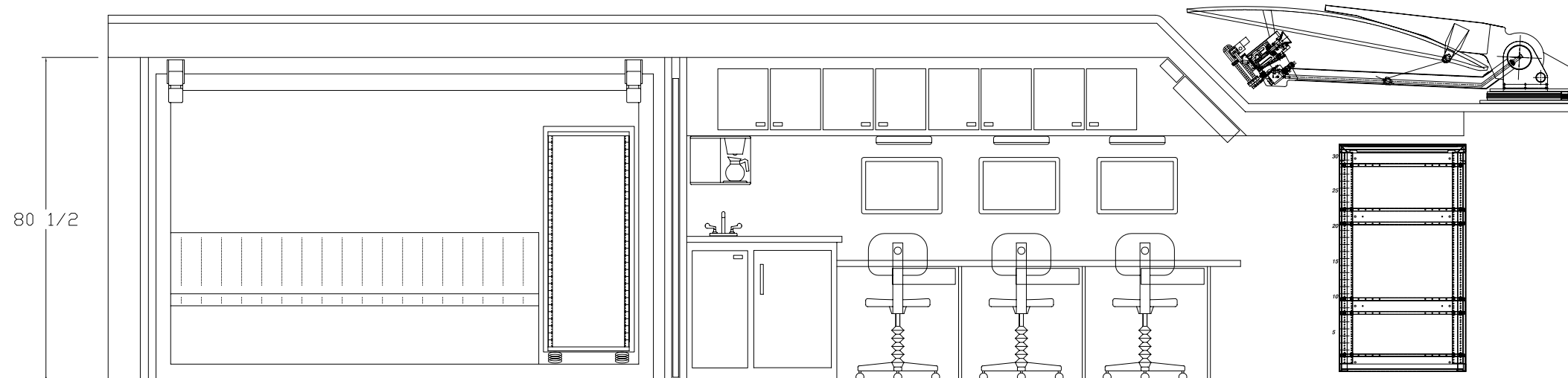
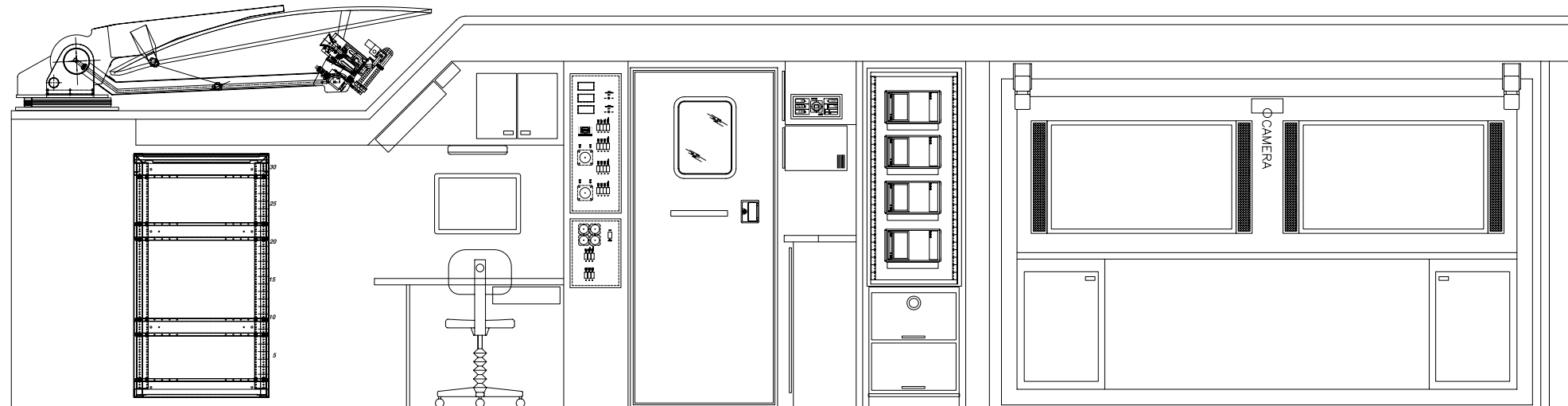
These drawings and/or specifications are the proprietary property and trade secrets of MBF Ind. and are issued in strict confidence. No reproduction or use shall be made without prior written consent of MBF Ind.

TITLE NAVAIR

VIEW STREETSIDE

DRAWN BY RCT  
 SHEET 3 OF 5

SCALE NA SIZE B



CUSTOMER APPROVAL

NAME: (print) \_\_\_\_\_  
 SIGNATURE: \_\_\_\_\_  
 TITLE: \_\_\_\_\_  
 DATE: \_\_\_\_\_

STATUS

**PRELIMINARY SALES DRAWING**  
**ALL DIMENSIONS**  
**ARE APPROXIMATIONS**

**MBF Industries**

210 TECH DRIVE  
 SANFORD, FLORIDA 32771

PHONE: 407-323-9414  
 FAX: 407-330-2068

DRAWING NUMBER

RCT-P-164-R1

TYPE

COMMAND

DATE

11/5/09

These drawings and/or specifications are the proprietary property and trade secrets of MBF Ind. and are issued in strict confidence. No reproduction or use shall be made without prior written consent of MBF Ind.

TITLE

NAVAIR

VIEW

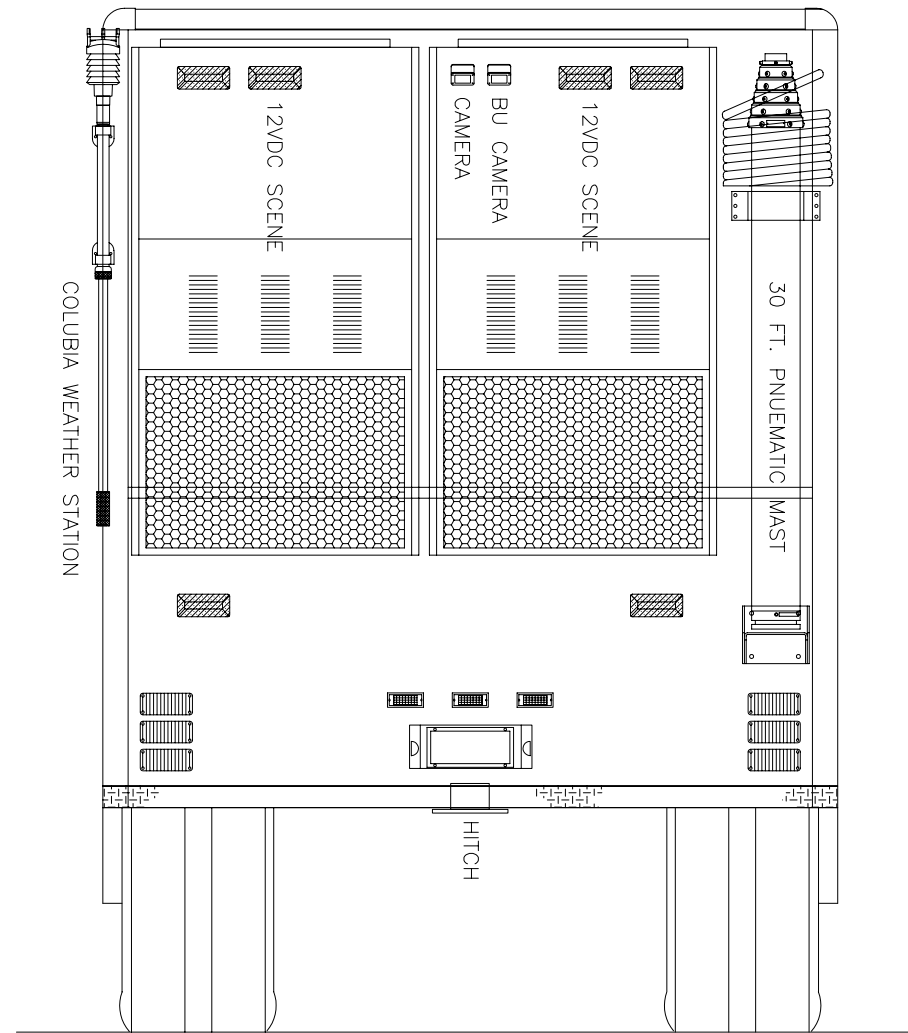
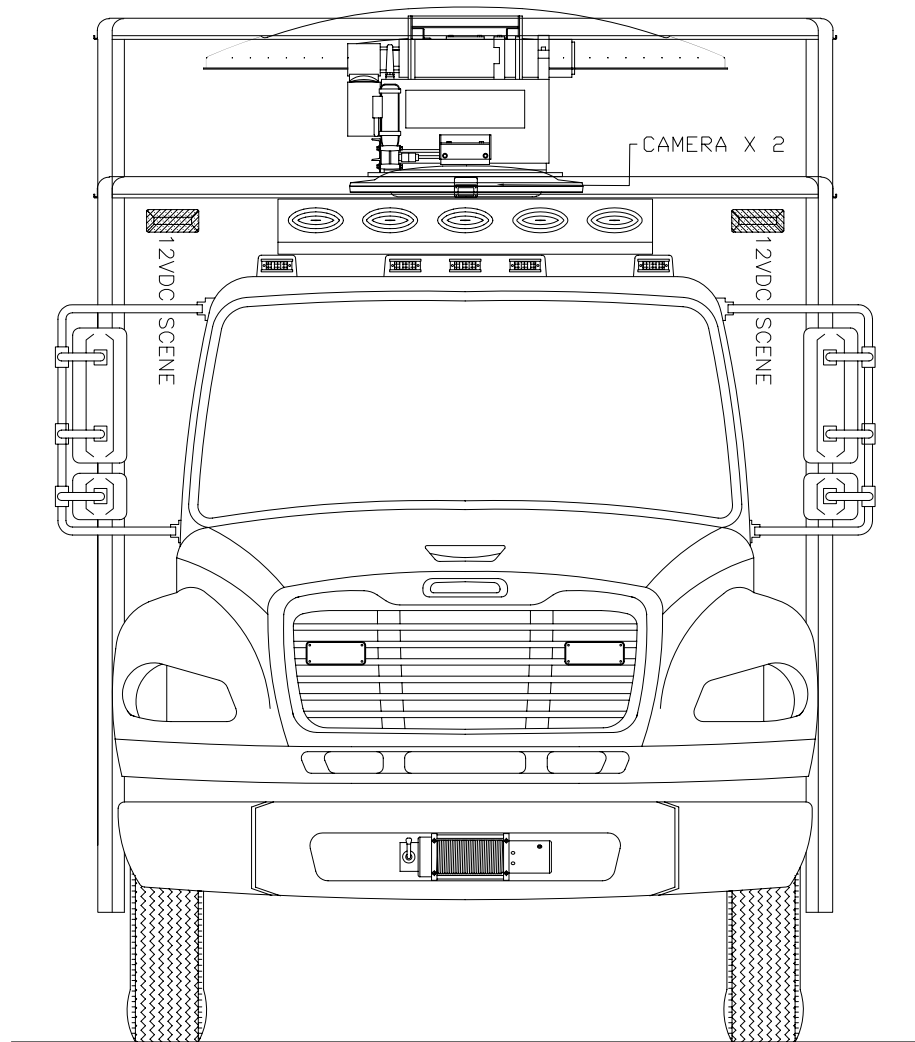
INTERIOR ELEVATIONS

DRAWN BY RCT

SHEET 4 OF 5

SCALE NA

SIZE B



**CUSTOMER APPROVAL**

NAME: (print) \_\_\_\_\_  
 SIGNATURE: \_\_\_\_\_  
 TITLE: \_\_\_\_\_  
 DATE: \_\_\_\_\_

**STATUS**

**PRELIMINARY SALES DRAWING  
 ALL DIMENSIONS  
 ARE APPROXIMATIONS**

***MBF Industries***

210 TECH DRIVE  
 SANFORD, FLORIDA 32771

PHONE: 407-323-9414  
 FAX: 407-330-2068

**DRAWING NUMBER**

RCT-P-164-R1

**TYPE**

COMMAND

**DATE**

11/5/09

These drawings and/or specifications are the proprietary property and trade secrets of MBF Ind. and are issued in strict confidence. No reproduction or use shall be made without prior written consent of MBF Ind.

**TITLE**

NAVAIR

**VIEW**

FRONT/REAR

**DRAWN BY**

RCT

**SHEET**

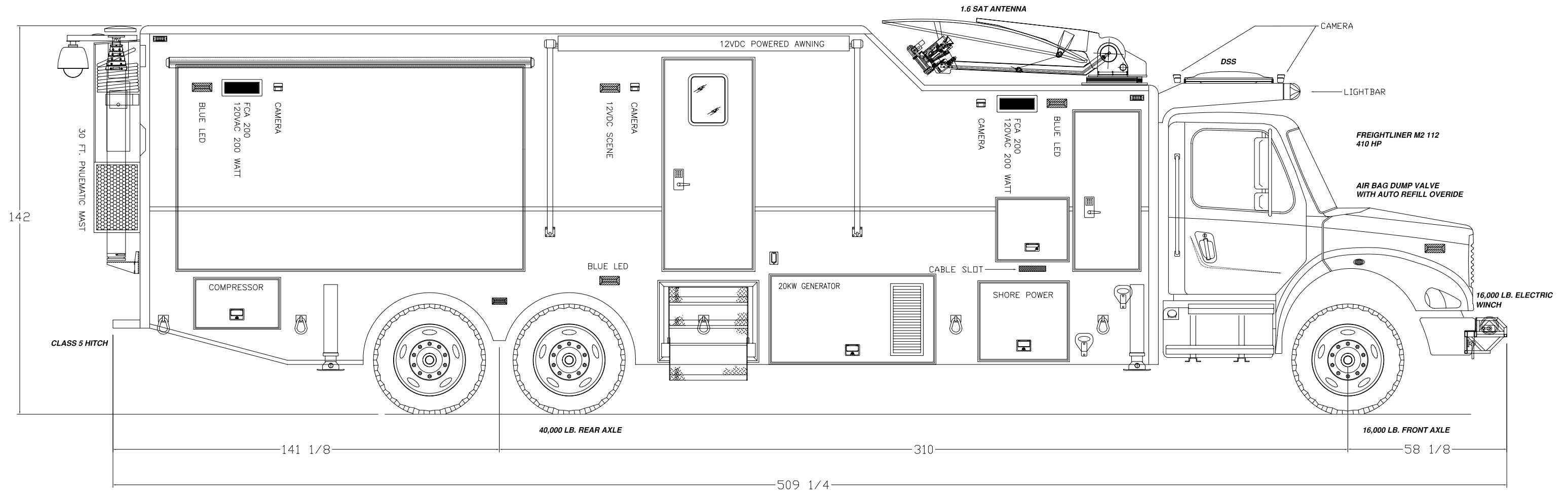
5 OF 5

**SCALE**

NA

**SIZE**

B



CHASSIS SPECIFICATIONS: DETAILED SPECS AVAILABLE UPON REQUEST

FREIGHTLINER M2-112 LATEST AVAILABLE MODEL YEAR  
 MERCEDES ENGINE 410 HP.  
 54,000 LB. GVWR.  
 2007 EMISSIONS

ALLISON TRANSMISSION  
 AIR RIDE SUSPENSION  
 TANDEM REAR AXLE  
 AIR BRAKES

ALUMINUM ALLOY WHEELS  
 DUAL 60 GALLON ALUMINUM FUEL TANKS

CUSTOMER APPROVAL

NAME: (print) \_\_\_\_\_  
 SIGNATURE: \_\_\_\_\_  
 TITLE: \_\_\_\_\_  
 DATE: \_\_\_\_\_

STATUS

**PRELIMINARY SALES DRAWING**  
**ALL DIMENSIONS**  
**ARE APPROXIMATIONS**

**MBF Industries**

210 TECH DRIVE  
 SANFORD, FLORIDA 32771

PHONE: 407-323-9414  
 FAX: 407-330-2068

DRAWING NUMBER

RCT-P-164-R1

TYPE

COMMAND

DATE

11/5/09

TITLE

NAVAIR

VIEW

CURBSIDE

DRAWN BY RCT

SHEET 2 OF 5

SCALE NA

SIZE B

These drawings and/or specifications are the proprietary property and trade secrets of MBF Ind. and are issued in strict confidence. No reproduction or use shall be made without prior written consent of MBF Ind.