

REV 01 - 09/09/09 - REVISED

CUSTOMER APPROVAL

NAME: (print) _____

SIGNATURE: _____

TITLE: _____

DATE: _____

STATUS

PRELIMINARY SALES DRAWING

ALL DIMENSIONS

ARE APPROXIMATIONS

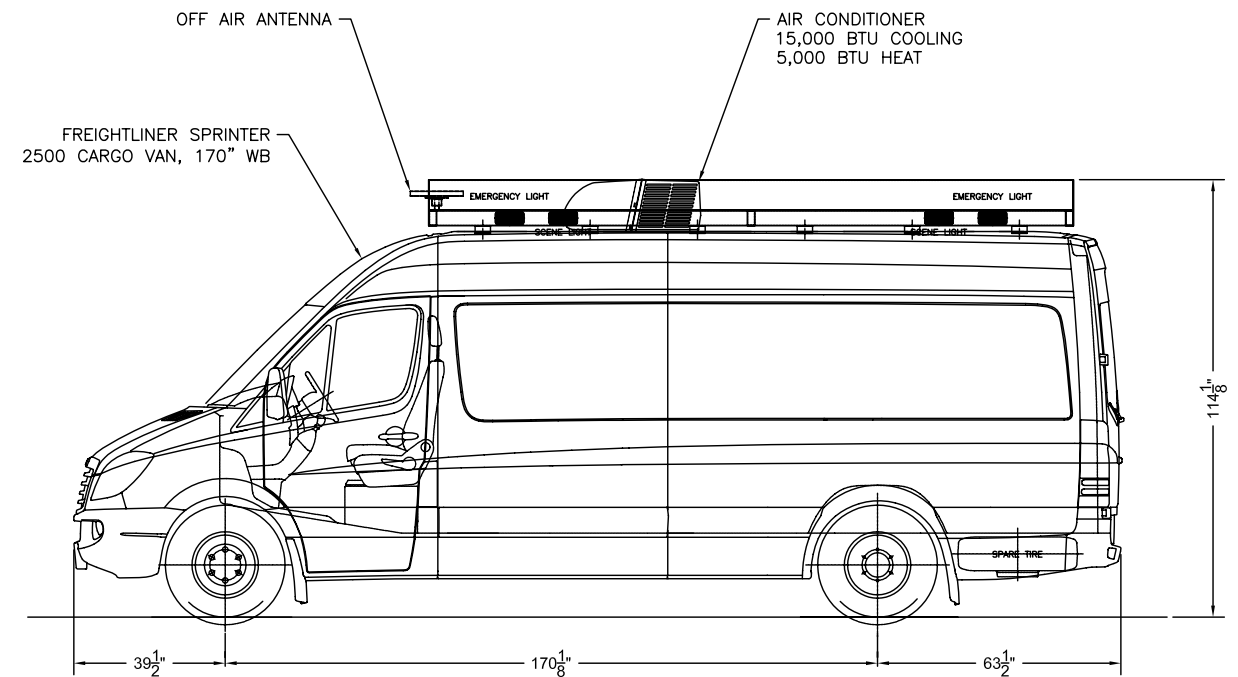
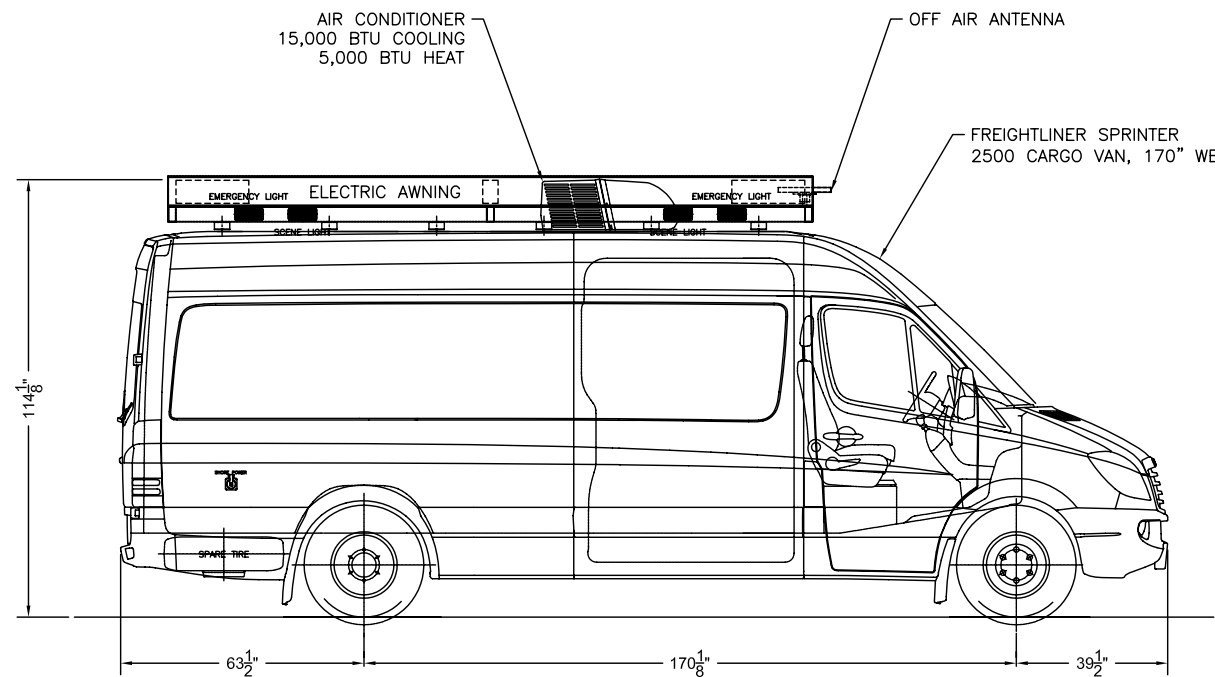
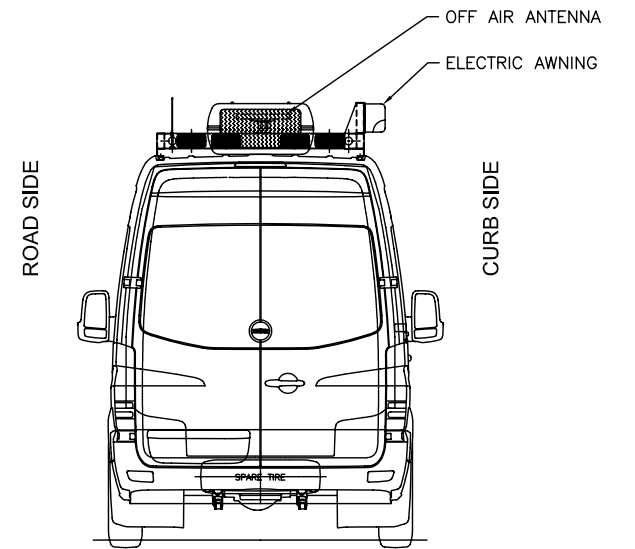
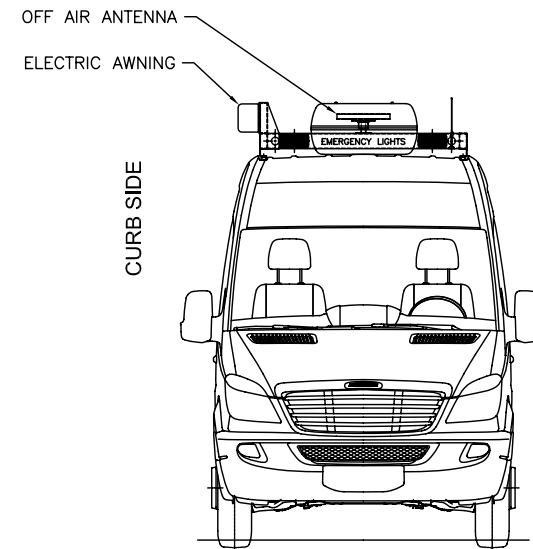
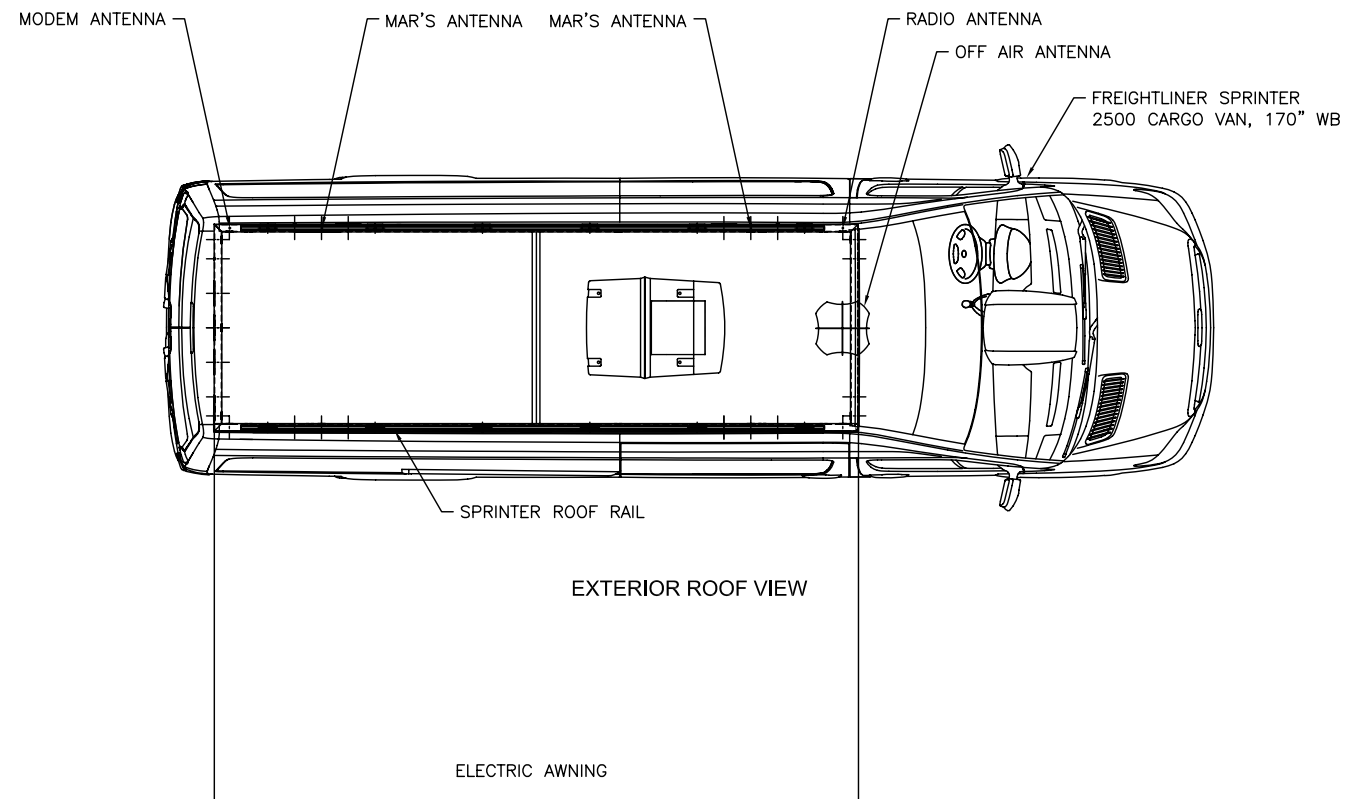
MBF Industries

210 TECH DRIVE
SANFORD, FLORIDA 32771

PHONE: 407-323-9414
FAX: 407-330-2068

DRAWING NUMBER	1181	REV	01
TYPE	PROPOSAL	DATE	08/13/09
These drawings and/or specifications are the proprietary property and trade secrets of MBF Ind., and are issued in strict confidence. No reproduction or use shall be made without prior written consent of MBF Ind.			

TITLE	CHARLOTTE METRO POLICE DEPARTMENT COMMAND "B"		
VIEW	INTERIOR ELEVATION VIEWS		
DRAWN BY	JDK	SCALE	N/A
SHEET	1 of 2	SIZE	B



REV 01 - 09/09/09 - REVISED

CUSTOMER APPROVAL

NAME: (print) _____
SIGNATURE: _____
TITLE: _____
DATE: _____

STATUS

PRELIMINARY SALES DRAWING
ALL DIMENSIONS
ARE APPROXIMATIONS

MBF Industries

210 TECH DRIVE
SANFORD, FLORIDA 32771

PHONE: 407-323-9414
FAX: 407-330-2068

DRAWING NUMBER	1181	REV	01	TITLE	CHARLOTTE METRO POLICE DEPARTMENT COMMAND "B"		
TYPE	PROPOSAL	DATE	08/13/09	VIEW	EXTERIOR ELEVATION VIEWS		
<small>These drawings and/or specifications are the proprietary property and trade secrets of MBF Ind., and are issued in strict confidence. No reproduction or use shall be made without prior written consent of MBF Ind.</small>				DRAWN BY	JDK	SCALE	N/A
				SHEET	2 of 2	SIZE	B